

## Modero® Touch Panels

# 7" Modero Table Top Touch Panel



The NXT-CV7 is an incredibly versatile user interface, combining a sleek, compact size, Table Top flexibility and Composite/S-Video multimedia support. In places where space is critical, the 7" Modero integrates a small base and an expansive 16x9 aspect ratio for maximum visibility and one-touch control options.

### COMMON APPLICATION

For hotel registration desks, building control rooms, office credenzas and other tabletop locations that require an elegant user interface with powerful control features.

### FEATURES

- 7" active-matrix display with 16:9 aspect ratio
- Screen Resolution (HW): 800 x 480 pixels
- Display colors: 262K (18-bit color depth)
- Anti-glare Overlay
- Supports analog stereo audio, Composite Video and S-Video
- Composite/S-Video inputs via NXA-AVB/Ethernet Breakout Box
- Playback of MP3 and WAV audio files
- Built-in Speakers (2) and microphone
- Motion Sensor (PIR) and Light Sensor
- 128 MB SDRAM / 512 MB CompactFlash Memory or more
- Wired 10/100 Ethernet



## NXT-CV7 (FG2258-01K)

### DIMENSIONS (HWD)

6 7/8" x 7 15/16" x 7 7/16" (17.4 cm x 20.2 cm x 19 cm)

### WEIGHT

3.49 lbs (1.58 kg)

### POWER REQUIREMENT - STANDALONE CV7

- Constant current draw: 1.0 A @ 12 VDC (stand alone)
- Startup current draw: 1.5 A @ 12 VDC (stand alone)
- Minimum Power Supply Required: PSN2.8 Power Supply (FG423-17) (Using accessories can increase the power draw requirements)

### POWER REQUIREMENTS - CV7 and BASE/1

- Constant current draw: 2.4 A @ 12 VDC (stand alone)
- Startup current draw: 3.6 A @ 12 VDC (stand alone)
- Minimum Power Supply Required: PSN4.4 Power Supply (FG423-45) (Using accessories can increase the power draw requirements)

### MEMORY

- 128 MB on-board memory
- 512 MB Compact Flash or more (upgradable to 1 GB factory programmed)

### PANEL LCD PARAMETERS

- Aspect Ratio: 16:9
- Brightness: 350 cd/m<sup>2</sup>
- Channel transparency: 8-bit Alpha blending
- Contrast ratio: 200:1
- Display colors: 256K (18-bit color depth)
- Dot/pixel pitch: 0.19 mm

- Screen resolution (HV): 800 X 480 pixels @ 60 Hz frame frequency
- Video formats: NTSC, PAL, and SECAM

### VIEWING ANGLE

- 100° total viewing angle
- Vertical: + 50° (up from center) and -50° (down from center)

### IR RECEPTION ANGLE

- Horizontal: + 50° (left and right from center)
- Vertical: + 30° (up and down from center)

### SUPPORTED AUDIO SAMPLE RATES

48000Hz, 44100Hz, 32000Hz, 24000Hz, 22050Hz, 16000Hz, 12000Hz, 11025Hz, and 8000Hz

### FRONT PANEL

- Light Sensor: Photosensitive light detector for automatic adjustment of the panel brightness
- Motion Sensor (PIR): Proximity Infrared Detector to wake the panel when panel is approached
- IR Receiver: 38 KHz AMX IR frequency
- Sleep Button: Pushbutton (gray) provides both access to the Setup and Calibration page and toggles the panel between a "sleep" or "wake" state
- Microphone: Used for intercom applications (requires the NXA-AVB/ETHERNET Breakout Box for analog communication)
- Speakers: Stereo output with a frequency response of 500 Hz - 7 KHz

### REAR CONNECTORS

- Mini-USB Connector: 5-pin Mini-USB connector used for programming, firmware update, and touch panel file transfer between the PC and the target panel
- Stereo Output Connector: Stereo output through a 3.5mm mini-jack (for use with external speakers or headphones)
- Ethernet 10/100 Port: RJ-45 port for 10/100 Mbps communication
- USB Connector: Type A USB port connects an external keyboard or mouse device for use with Virtual PC applications
- Audio/Video Connector: RJ-45 connection for A/V signals (via CAT5) between the NXA-AVB/ETHERNET Breakout Box and the panel
- Power: 2-pin 3.5 mm mini-Phoenix connector

### CERTIFICATIONS

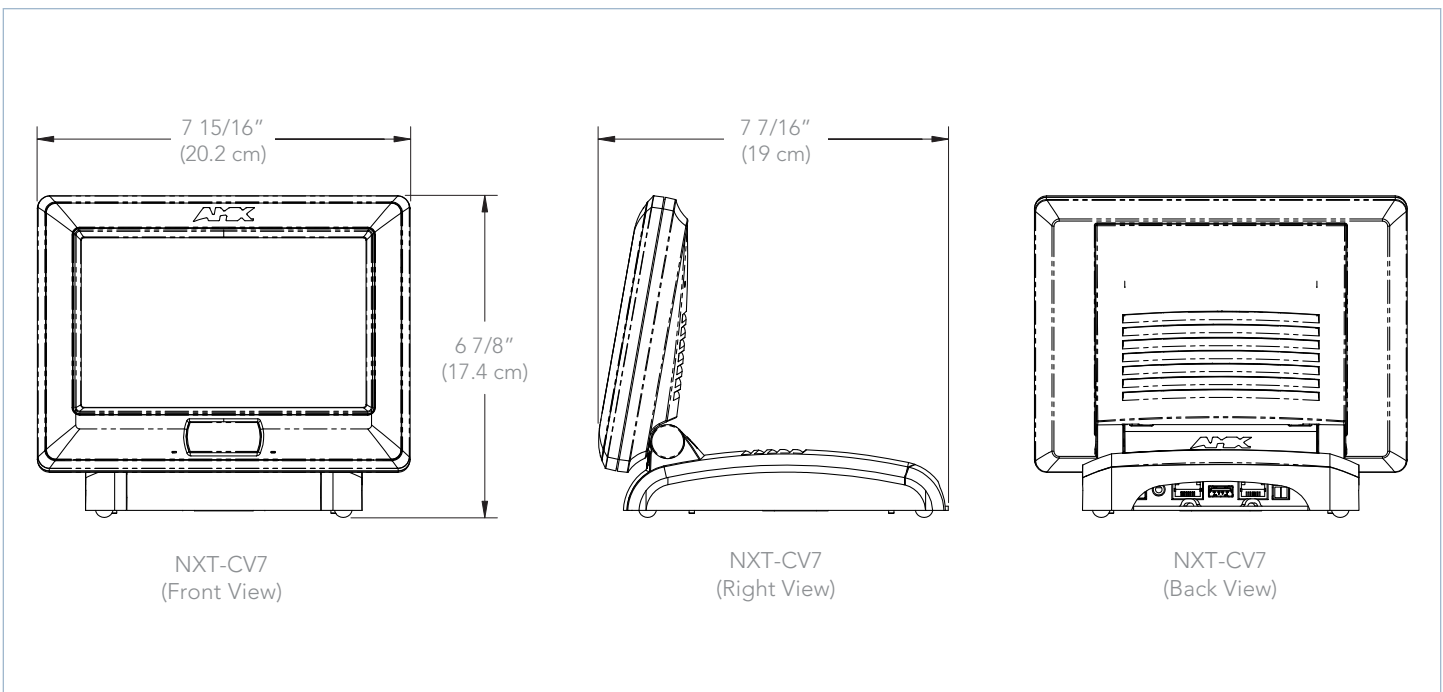
- FCC Part 15 Class B
- CE

### ENVIRONMENTAL

- Operating Temperature: 0° C (32° F) to 40° C (104° F)
- Operating Humidity: 20% to 85% RH
- Storage Temperature: -20° C (-4° F) to 60° C (140° F)
- Storage Humidity: 5% to 85% RH

### INCLUDED ACCESSORIES

- Installation Kit (KA2258-01)
- Modero 10' Table Top Cable (CA2250-50)
- NXA-AVB/ETHERNET Breakout Box (FG2254-10)



IT'S YOUR WORLD. TAKE CONTROL.